



BUSINESS BROCHURE

PRACTICALITY

INNOVATION

EFFICIENCY

📍 No. 506, Changwu South Road, Wujin National High-tech Industrial Development Zone, Changzhou City, Jiangsu Province, China

☎ 4000-888-011

🌐 www.riverexcavator.net

✉ sales@riverexcavator.net

JIANGSU RIVER HEAVY INDUSTRY CO., LTD.

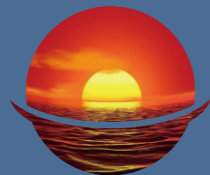
WELCOME



The Jiangsu River Heavy Industry Co., Ltd. was established in 2003 with a registered capital of 20 million yuan. It was one of the first domestic manufacturers to modify amphibious excavators and river dredging equipment. Presently, the company's main products include amphibious excavators, pontoon undercarriages, long reach booms, extended arms, hydraulic cutter suction pumps, and other excavators-related accessories, as well as water conservation projects, environmental management projects, and equipment leasing.

Over the years, the company has established in-depth partnerships with well-known domestic and foreign brands such as YUCHAI, XCMG, LIUGONG, SANY, and CATERPILLAR. More than 50 Chinese cities sell the products, and they are exported to over 20 countries and regions, including Indonesia, Malaysia, Philippines, Poland, Russia, and Africa.

As a service-oriented company, Jiangsu River Heavy Industry emphasizes customer satisfaction as the standard. In order to meet the diversified needs of the future market, the company continues to research and develop, as well as improve upcoming amphibious products, high-tech marine engineering equipment, and other products. The company has developed into a leading brand of TOP ONE in the field of river dredging.



Eco Wave Sunrise Hope



"V" Victory Success



Excavation Focus Machinery



BRAND MEANING

"RIVER", the word originates from Yangtze River and Yellow River. The meaning is to protect and develop "mother river" through river regulation, in order to achieve harmonious coexistence between man and nature.

VALUE ORIENTATION

Service to society, green development, and diligence

CONTENTS

● Company Profile	01
● Memorabilia	03
● Our Products	05
Amphibious Excavator	07
Pontoon Undercarriage	15
Hydraulic Dredging Pump	21
Long Reach Boom	25
● Engineering Project Experience	27
● Domestic and International Cooperation ...	29
● After-Sale Service	31
● Enterprise Vision	32



Company Introduction



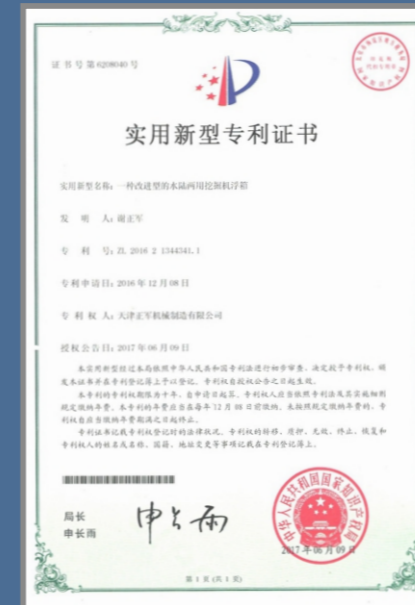
In addition to R&D, production, sales, and engineering construction, River is a diversified enterprise. To improve and upgrade the equipment, we use the experience gained from construction and customer feedback. In order to make better products, every improvement must be tested on the market and in practice.

Business Scope

 Modification of Amphibious Excavator	 Sales of Amphibious Excavator
 Amphibious Excavator Leasing	 River Dredging Project

CERTIFICATION

In 2016, the company submitted more than ten patent applications involving amphibious excavators, cutter suction pumps, and other attachments, which were all approved, thus becoming one of the few domestic companies to obtain the technology patent. Furthermore, our products have been certified with the ISO9001 quality management system and with CE certification for European exports.



COOPERATED BRANDS

Our

Development Course

MEMORABILIA

2003



Founded the first Water Conservancy Engineering Company, which specializes in river dredging. The Yangtze River Waterway Administration and the Shanghai Waterway Bureau engaged the company to build the Caofeidian reclamation project this year, and we also gained extensive building experience.

2005



The R&D Task Force was established with the goal of addressing the amphibious excavator's knowledge gap and restrictions. Throughout the development process, we upgraded our technology and reserved a wealth of technical talent.

2010



We formally established a factory in Tianjin to increase production volume, as well as expanding the R&D team to a separate R&D department and establishing a distinct manufacturing department. Europe, South America, Africa, Southeast Asia, and other nations and regions are among the destinations for our exports.

2015



As a result of using the Cutter Section Pump developed by RIVER in several engineering projects, the actual performance is not inferior to other imported cutter suction pumps.

2018



Invested in the establishment of Hubei River Machinery Co., Ltd, which constructed its first plant of 6000 square meters.

When the first amphibious excavator with a pontoon undercarriage was introduced to the market and received favorable customer response, our market size quickly increased.



2007

To meet the engineering demand of river regulation and reduce the construction cost, we are officially committed to the research and development of the Cutter Suction Pump, an attachment of an amphibious excavator.



2014

In order to support the National Environmental Protection Policy and develop our hometown, we have reduced the production scale of our factory in Tianjin. This resulted in an industrial facility covering over 50,000 square meters in Honghu City.



2017

As the company's first product, the factory went into production. As of April, the first Amphibious Pontoon undercarriage was unveiled, marking the beginning of the historical chapter that is rooted in Hubei and serves the country and the world.

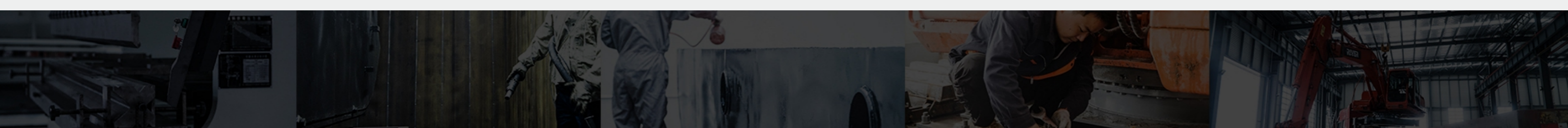


2019

The company has experienced rapid growth in the last two years, occupying the domestic market. A manufacturing, sales, and development center was established in Changzhou by Jiangsu River Heavy Industry Co., Ltd.



2021



OUR PRODUCT



Innovation begins with a concrete analysis of a specific problem. In practical application, because of the differences in river environments and construction conditions in each site, it is necessary to analyze the specific working conditions and combine the characteristics of different accessories to make the amphibious excavator, then make a variety of customized products, creating targeted solutions, and effectively complete engineering operations.

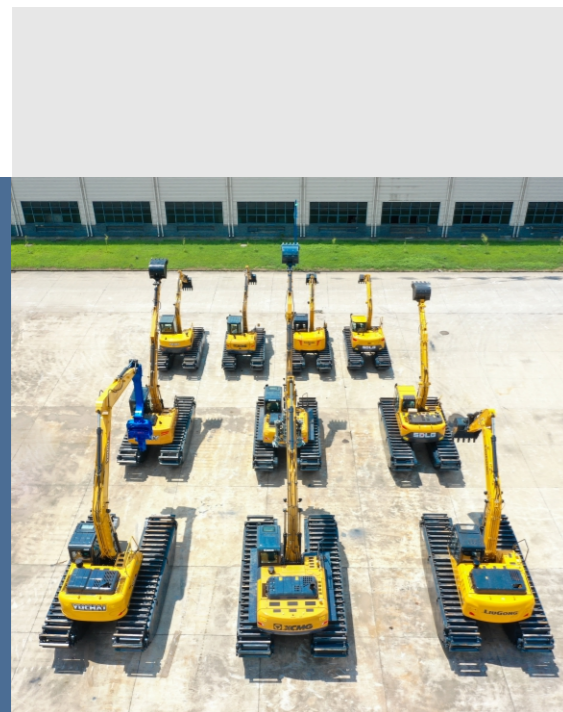
PONTOON UNDERCARRIAGE

The excavator was modified, and the undercarriage system unit was replaced with a pontoon. The pontoon undercarriage can provide certain buoyancy so that excavators can work in the swamp, silt and other water environments.



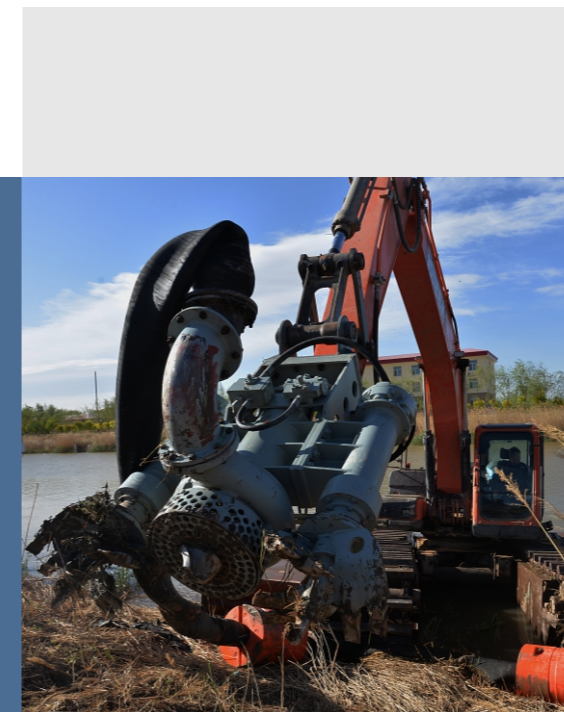
LONG REACH BOOM

The long-reach arm is used when the standard arm cannot meet the requirement. Long reach arms may be more efficient and quicker to complete certain operating conditions with special depth, width, and height requirements.



AMPHIBIOUS EXCAVATOR

The system can be used on land, shallow water, marshes, and deep water areas, as well as on ponds, rivers, lakes, coastlines and other complex construction terrain, with high safety levels.



HYDRAULIC CUTTER SUCTION PUMP

It is beneficial to improve the working efficiency of the excavator by installing an auxiliary equipment when there is more water, more silt, sand, and mortar that is difficult to dig and transport.



AMPHIBIOUS EXCAVATOR



Amphibious excavators can be used on land, in shallow water, in marshes, and in deep water. The amphibious excavators produced by RIVER have been tested in practice for many years and are widely recognized by users. The pontoon undercarriage can be customized to suit 5–40 tons of various types of excavators, depending on your working conditions and needs.

HOT-SALE MODEL

RIVER-80 ▼



RIVER-150 ▼



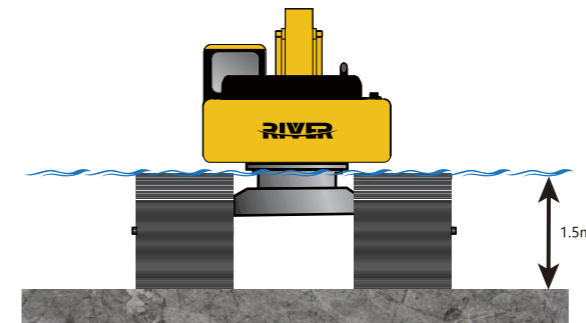
RIVER-215 ▼



WIDE OPERATION AREA, MORE FLEXIBLE AND STABLE

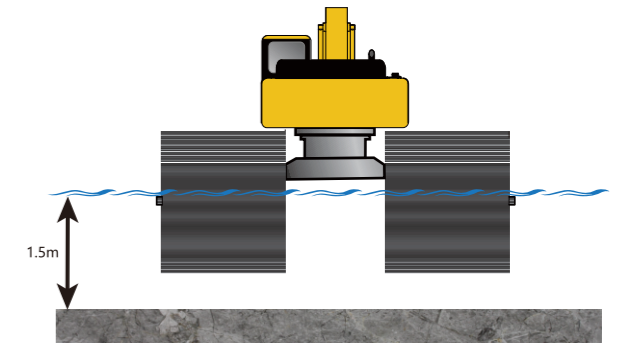
Less than 1.5m depth

Lightweight design of RIVER



The pontoon's buoyancy is less than its total weight, so even if the machine touches the riverbed, it will continue to operate normally

Big pontoons of competitors

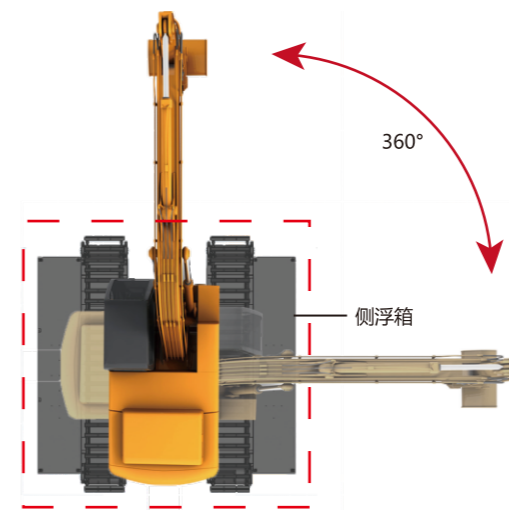


It is easy for the pontoon to roll over since buoyancy is greater than total weight

Lightweight excavators are more adaptable to shallow water areas such as silt and swamps design. The material strength increases while allowing the weight of the excavator to be reduced. By doing so, we will increase walking speed, reduce fuel consumption, and improve construction speed.

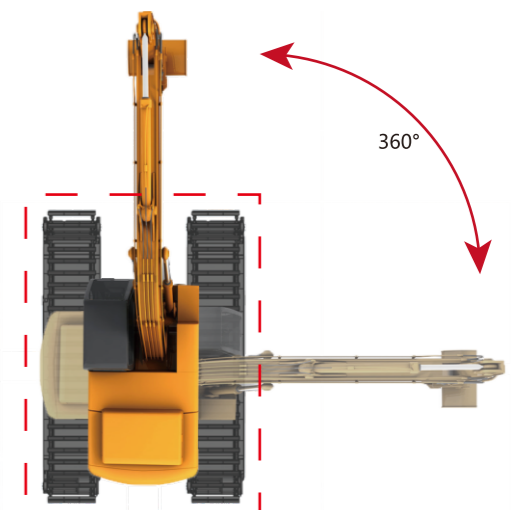
2-5 meters water

Lightweight design of RIVER



It is obvious from the practical experience of River's lightweight design that the square platform is more stable

Big pontoons of competitors



There will be unstable condition when the bottom of the pontoon is rectangular as this will make it to easily roll over

In deep water areas, the design of the main pontoon and side pontoon makes the excavator more stable and not easy to roll over. At the same time, the relatively long reach arm, the wider operating radius, and the standard arm can also make the machine to work normally.



EASY TO TRANSPORT

The transportation and dispatching of the amphibious excavator are simple and convenient because the reality is achievable using a sound trailer to convey our products undamaged. Long-distance transport requires the machine to be disassembled, and demolition or installation can be completed within 1 hour for short-distance transportation.



APPLICATION SCOPE OF THE PRODUCT

01 Marsh, Wetland And Other Water Operation Projects
With the aid of our professional amphibious equipment, the excavator can safely and effectively work in ponds, rivers, lakes, coastlines and other terrain operations.



02 Dredging Operation
Desilting operations can be performed using amphibious excavators in challenging aquatic conditions, especially with the operation efficiency is astounding when cutter suction equipment is used.



03 Environmental Service
Dredging in challenging areas, such as swamps, rivers, etc., management of the natural environment, and bolstering landscape restoration are all ways to effectively build and safeguard the landscape.



04 Public Welfare Disaster Relief
Products of River Heavy Industry are used for flood management, disaster relief efforts, maintenance, and other purposes



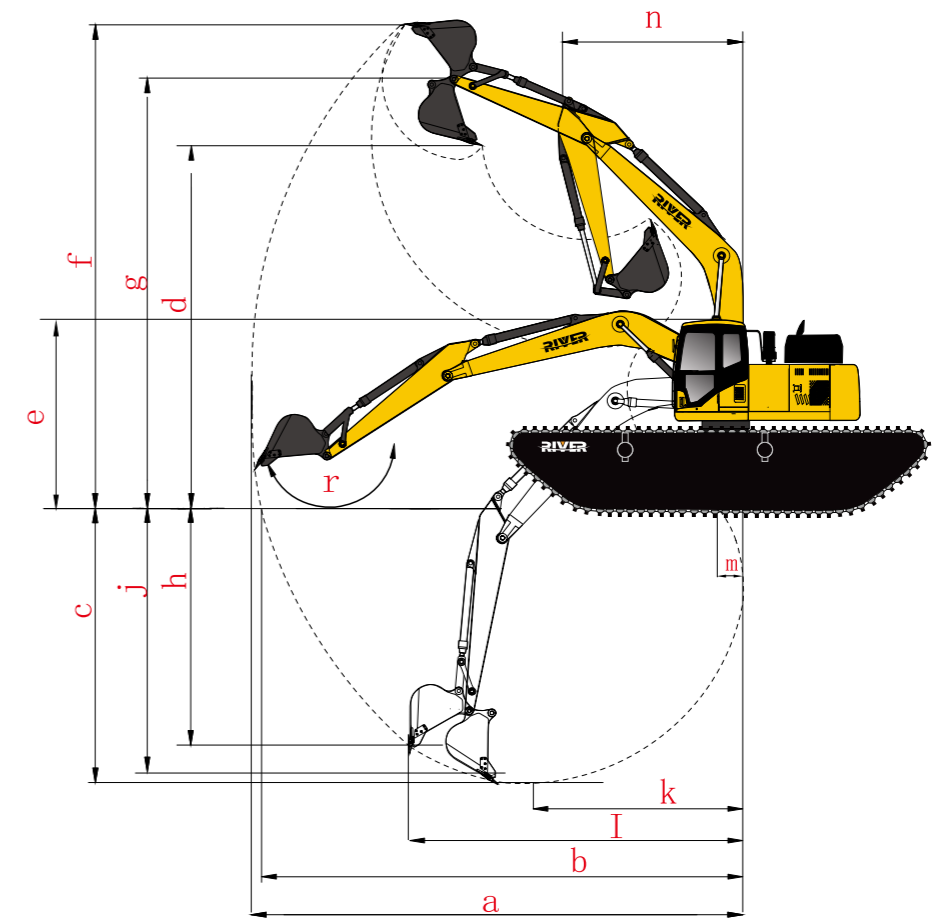
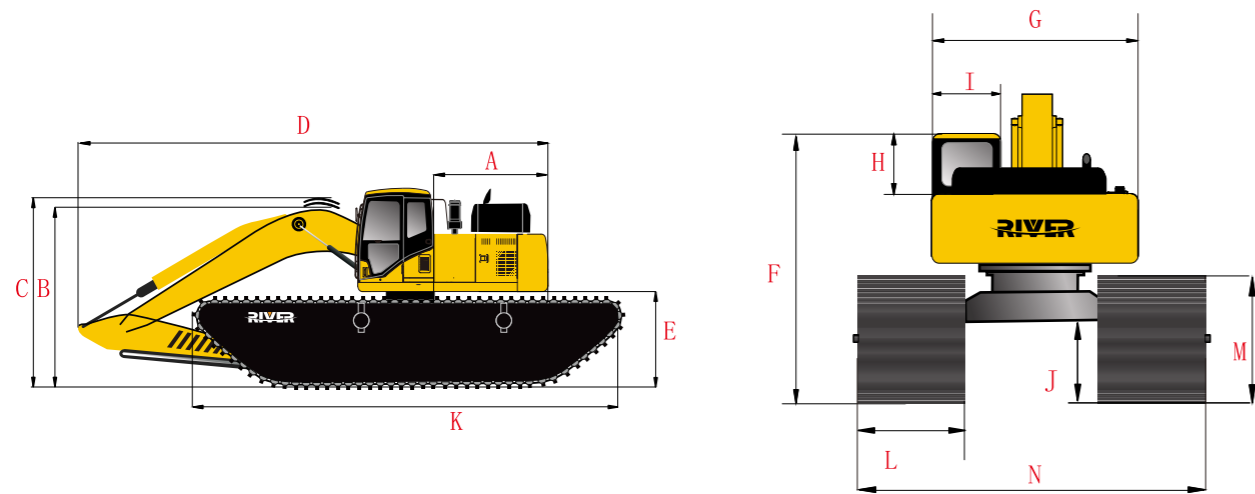
05 Rental Service
We offer rental services for a number of excavator equipment models to those who may need them.



WORKING SCENE



Product Parameters



Description	Uom	Code	River-80	River-150	River-215
-------------	-----	------	----------	-----------	-----------

Measurement

Tail turning radius	mm	A	1650	2200	2840
Transport height (to boom top)	mm	B	2660	3300	3350
Transport height (to the top of the hose)	mm	C	2800	3500	3600
Transportation length	mm	D	7000	9000	10600
Ground clearance of counterweight	mm	E	1400	1800	2000
Total height (to top of cab)	mm	F	3150	3650	3880
Turntable width	mm	G	2100	2450	2800
Cab height (above turntable)	mm	H	1870	1910	1950
Full width of the cab	mm	I	1100	1100	1100
Minimum ground clearance	mm	J	875	1060	1210
Single pontoon length	mm	K	5700	7000	8000
Single pontoon width	mm	L	1000	1250	1500
Single pontoon height	mm	M	1300	1600	1800
Overall weight	mm	N	3000	3650	4500

Description	Uom	Code	River-80	River-150	River-215
-------------	-----	------	----------	-----------	-----------

Operation range

Max. digging distance	mm	a	6200	8120	10000
Max. excavation distance on the ground	mm	b	5900	7900	9600
Max. excavation depth	mm	c	3535	4706	5310
Max unloading height	mm	d	5645	7878	10400
Min. unloading height	mm	e	5045	5378	6400
Max. excavation height	mm	f	7570	9478	11600
Max. height of bucket pin	mm	g	6970	8678	10100
Max. vertical digging depth	mm	h	2435	3300	4700
Max vertical radius	mm	i	2435	3300	4670
Max. Horizontal excavation depth	mm	j	3460	4500	5110
Min. horizontal radius	mm	k	810	1200	2200
Min. digging distance	mm	m	320	530	670
Min. gyration radius	mm	n	1620	2200	3050
Bucket extension angle	mm	r	175	175	175

Pontoon >>

20 years construction experience with an emphasis on real-world usage

- Amphibious excavator durability increased by 50%, and high-strength steel raw material is twice as strong as its rivals.
- By using sandblasting to remove rust and improve paint adhesion, boat digging's anti-rust capability was raised by 50%.
- Two-bottom and two-face paint, outstanding anti-rust capabilities, better resale value, and special paint for marine vessels
- In order to prevent the pontoon from wearing out, add a wear-resistant strip to the chain rail.
- Use high-light Q345B manganese plate for outstanding welding performance, high impact resistance, and guaranteed durability.

The center frame's height is adjustable

Various construction projects may necessitate that the height of the center frame be adjusted or adapted

Main pontoon

For regular operation in shallow water, the pontoon's planned buoyancy can reach the bottom since it weighs less than the entirety of the structure.

The chain plate employs HG785 high strength

Wear resistance, and impact resistance.

Heat-treated 40 Cr high-strength steel is used to make the track chain.

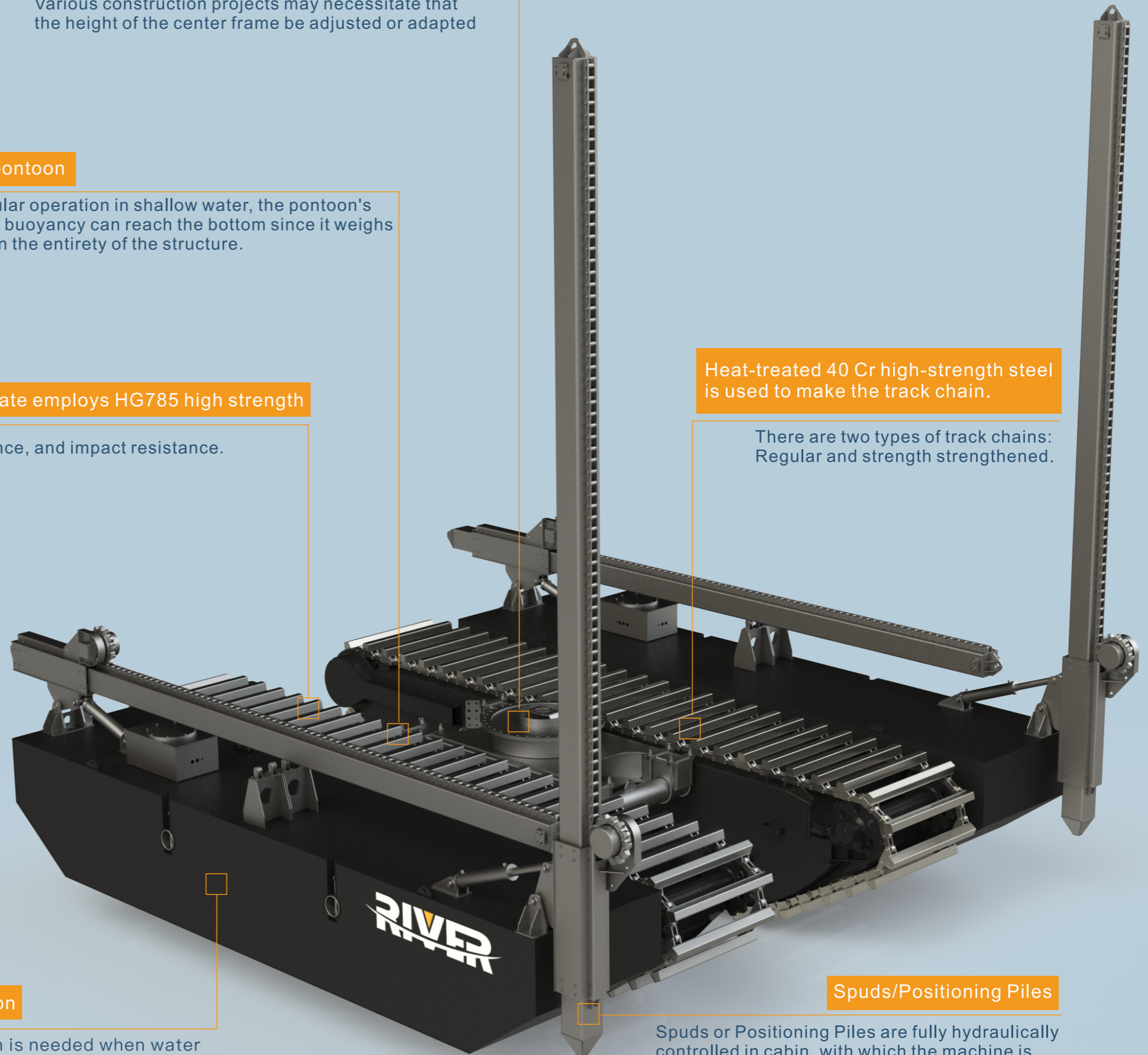
There are two types of track chains: Regular and strength strengthened.

Side Pontoon

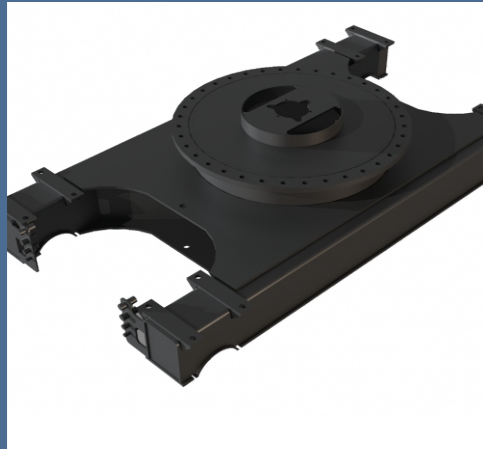
Side pontoon is needed when water depth exceeds the height of main pontoon. Only 10 minutes for the installation of side pontoon.

Spuds/Positioning Piles

Spuds or Positioning Piles are fully hydraulically controlled in cabin, with which the machine is allowed to work in 2-5 meters deep water.



The core components used in Pontoons are specially designed



Centre Frame

The height of the center frame can be adjusted to fit different construction project specifications and can be changed in accordance with the original excavator foundation.



Track Plate

- Under the track plate, the wear pad is intended to increase load capacity and decrease loss on hard surfaces.
- Enlarged chain plate that is anti-slipped and difficult to bend.
- Size can be changed to suit the needs of the customer.



Track Shoe

Chromium and titanium alloy are optional, lighter materials with longer lives. The chain does not require high tension, the load on the shaft and bearing is low, it will not slip, the transmission is dependable, the overload capacity is substantial, and it performs better under low speed and heavy-duty conditions. It can also maintain an accurate average transmission force and increase transmission efficiency.

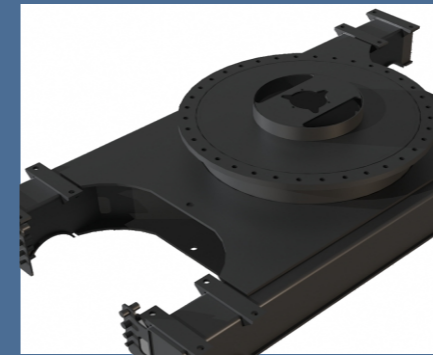


The Part of Pontoon

- Good anti-rust ability, excellent value preservation ability, two-layer primer and two-layer paint.
- Strong impact resistance, assured wear resistance, high strength Q345B steel plate.
- At the chain rail, wear-resistant strips are added to shield the floating box from harm.

The knock-down construction made loading and transportation simple

Putting everything together takes 60 minutes, and installing the side pontoons takes 8 minutes.



Center Frame



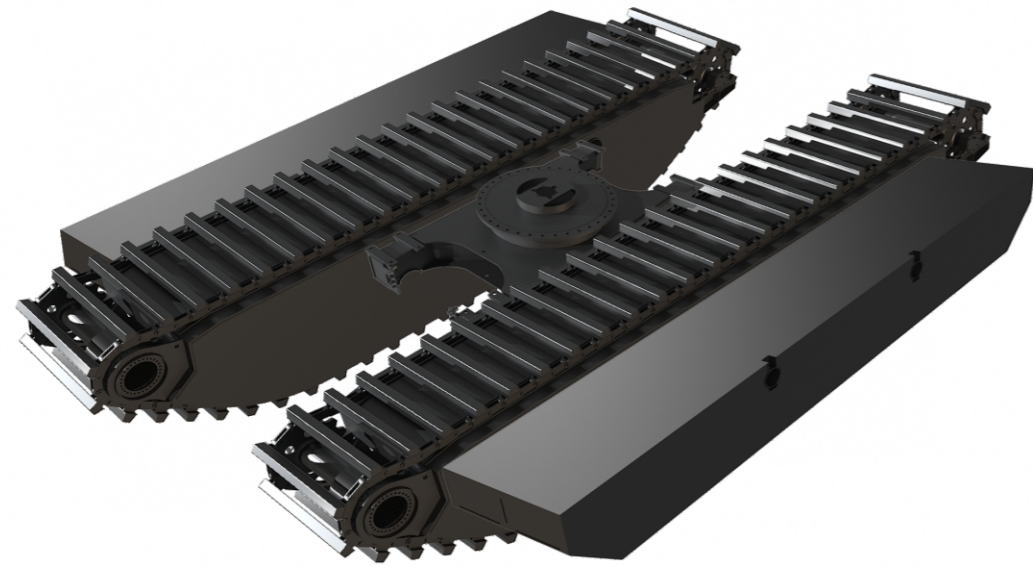
Cross-Beam

12mm thickness seamless round tubes, durable and easy to assemble. The Center frame is fixed on the cross beam by 8 U-shape clips.



U-shape Clip

Product Parameters

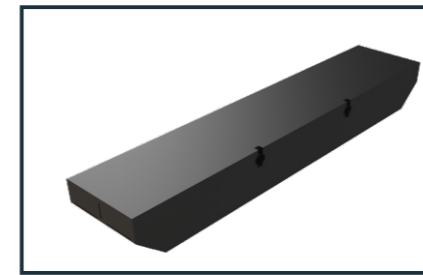


Model	Main Pontoon Dimension	Pontoon Weight	Total Width	Side Pontoon Dimension	Side Pontoon Weight
RS80-A	5700*1000*1300mm	5.6T	3000mm	5500*900*700mm	1.4T
RS150-A	7000*1250*1600mm	10.5T	3650mm	6500*1250*800mm	2.6T
RS215-A	8000*1500*1800mm	15.1T	4500mm	7000*1250*1000mm	3.0T
RS250-A	8500*1600*1900mm	17.9T	4800mm	7500*1250*1100mm	3.2T
RS300-A	9000*1650*2000mm	22.2T	5100mm	8000*1300*1200mm	3.8T
RS400-A	10500*2000*1840mm	/	/	/	/

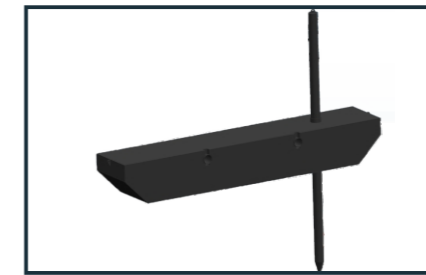
Material Pontoon material

High-grade Q345B steel is used for track shoes.
 Q345B steel made specifically
 40Cr steel is extremely durable and wear-resistant (Unique design)
 Track chains are made of an airtight container
 3 separate storage areas

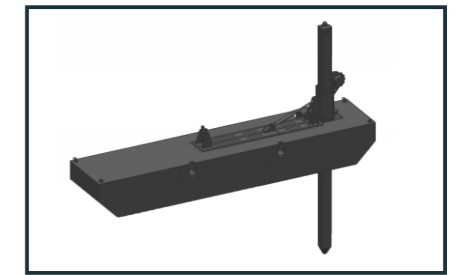
Different types of side pontoons



Side Pontoon

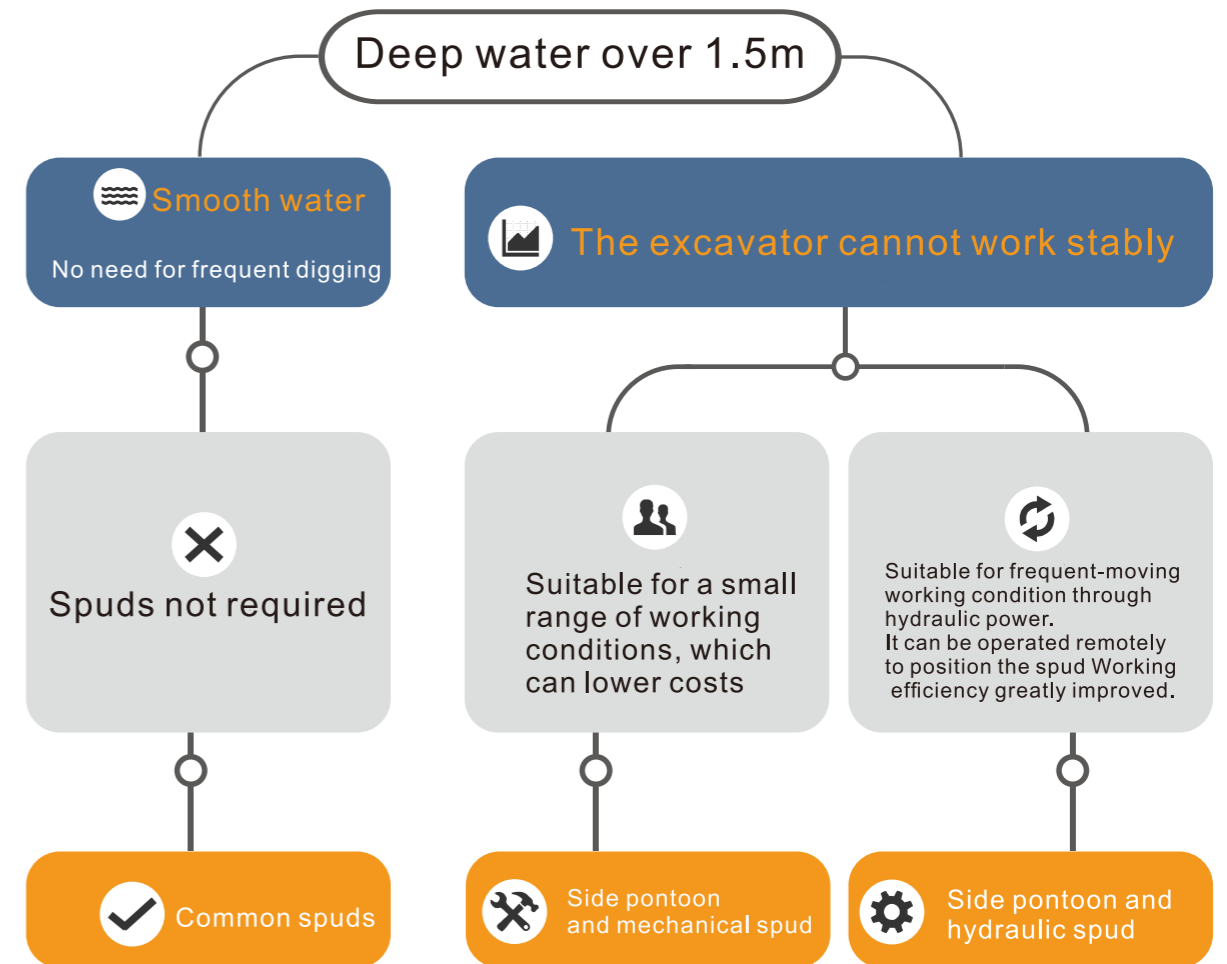


Mechanical Spuds

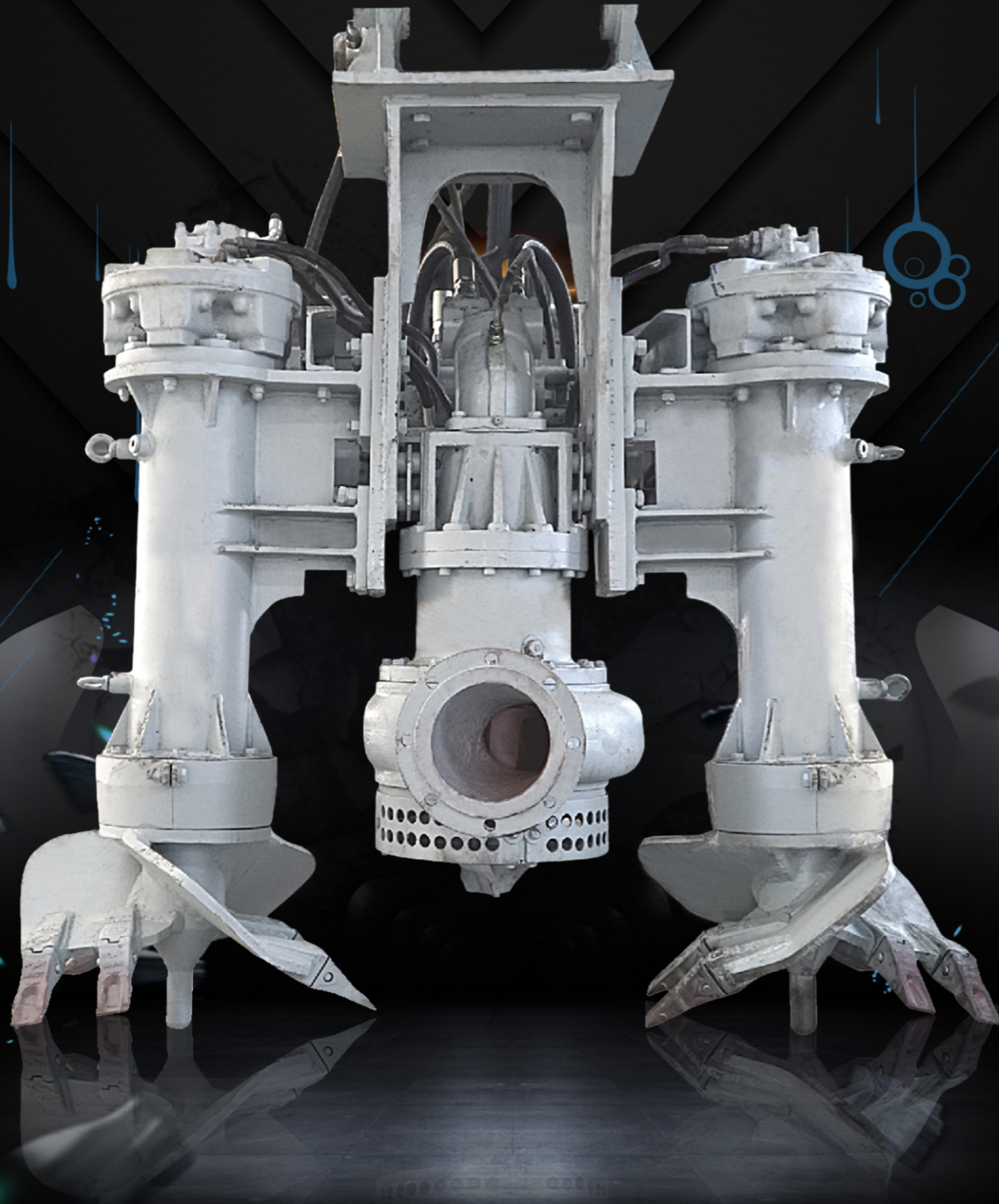


Hydraulic Spuds

How to select side pontoon and spuds



HYDRAULIC CUTTER SUCTION PUMP



MORE EFFICIENT, MORE STABLE

- The hydraulic cutter suction pump is primarily used as an excavator's auxiliary tool to perform extraction operations when more water, silt, sand, and thinner mortar are difficult to excavate and transport. This considerably increases operating efficiency. It is frequently utilized for inner channel dredging operations, port sediment control, removing tailing reservoirs, beautification, desalting of municipal sewers, etc.
- The hydraulic cutter suction pump uses a military-specific motor and slag-specific high chromium alloy. It benefits from a cutting-edge construction, a sensible design, good performance, high efficiency, and reliable operation.

WIDE RANGE OF APPLICATIONS

Application but not limited to

Dredging of harbors, rivers and lakes

Extract mud, sand, gravel, etc., harbour reclamation project

In metallurgy, steel and other industries used to absorb high concentrations of failings, waste residue and high-temperature iron slag, iron filings

Slag removal of Iron Ore, failings pond, and other mining-related project, discharge slurry and solution contained solid material

Pumping sand, gold washing, etc

It can be used in river dredging, lake development, wetland park construction, coastal beach development, salt lake development, failings control and other water conservancy projects and marsh development projects.



- ✓ **Maximum Flow** 400[m³/h]
- ✓ **Head** 35[m]
- ✓ **Concentration** 15-30[%]

Hydraulic cutter suction pump body parameters

Max flow [m ³ /h]	Head [m]	Concentration [%]	Max. deliver distance [m]	Grain diameter [mm]	Weight [kg]
400	35	15-30	800	60	1400

Hydraulic cutter suction pump motor parameters

Motor displacement [cc]	Max hydraulic flow [l/min]	Max hydraulic pressure [bar]	Power [KW-HP]	Rotate speed [RPM]
160	200-380	340	70	1450



Through stress analysis, material selection, technology, design, and manufacture, we ensure the hardware's quality, structural integrity, and service performance. We can design and produce all types of two-section extension arms according to customer requirements, which are mainly used for earthwork foundation and deep well excavation, river dredging, port construction, subway construction, and construction foundation excavation, wide scope of operation, high efficiency, and high safety. An internal buffer plate is arranged in the arm to bear the tension load, extending the service life of the excavator.



1. Industry Standard Welding Technology

Adopting gas welding technology results in beautiful final products, outstanding welding quality with high weld crack resistance, low likelihood of welding distortion, a compact welding joint, and an extended shelf life for the entire arm.

2. Automated Processing Equipment

Processing pin shafts automatically improves the quality of the entire arm by precisely ensuring that each pin is parallel and that the center distance of each pin hole is exact.

3. Professional Product Design Team

Based on the original products, we improved ours to significantly lower the risk of product cracking and arm breaking.

4. Advanced Computer-aided Design

The building process is significantly accelerated by the use of two-dimensional drawings and three-dimensional designs, which enable reliable data analysis for secondary development and customized goods.

Operating Weight (T)	Total Length (mm)	Boom Length (mm)	Arm Length (mm)	Bucket Capacity (m3)	Counterweight (T)
6~8	10000	5500	4500	0.25	/
10~16	13000	7100	5900	0.3	/
20~22	15380	8220	7160	0.5 0.6	/ 1Ton
23~25	15380	8220	7160	0.55 0.7	/ 1Ton
20~25	18000	10000	8000	0.35~0.4 0.6	/ 1.5Ton
26~34	18000	10000	8000	0.45~0.8	/
35~45	18000	10000	8000	0.8~1.2	/
25~34	20000	11000	9000	0.35~0.6	2.5Ton
35~45	20000	11000	9000	0.6~0.9	2Ton
35~40	22000	12000	10000	0.4~0.8	3Ton

Engineering Project Experience



Jiangsu River Heavy Industry Co., Ltd. has nearly 20 years of construction experience with a fantastic and sagacious construction team.

31+

National engineering project

200+

Minor construction project

CASE ONE

In 2014, we completed the Caofeidian reclamation project jointly undertaken by the Yangtze River Waterway Administration and the Shanghai Waterway Bureau, and gained valuable construction experience.



CASE TWO

In 2018, the Shenzhen Maozhou River Water Environment Improvement Project, with a total investment of about 4.372 billion yuan, included river dredging projects, pipe network work, and water landscape engineering, totaling three water control and quality improvement projects, with a total length of 43.5 kilometers, a total length of 266.1 kilometers of pipeline, and a total area of 231.3 hectares of landscaping. The dredging of the river in the Guangming section is in our company's hands.



CASE THREE

Our 2019 project was to reline the Boxi Landing Pipeline for CNOOC. The Boxi oil and gas processing plant is Boxi Oil Field Group's downstream project. Tianjin Binhai's district government required unified planning for economic development, and the elimination of potential security risks. In that regard, a 12" single layer concrete counterweight gas pipeline and a 10"/16" double layer oil-water mixed pipeline were laid to the newly constructed terminal when the Boxi Plant terminal was relocated to the South Port industrial area in 2013.



Made in China and sold overseas



Our trusted and respected clients spread across more than 50 cities all over China, and our products has been exported to more than 30 countries and regions, such as Indonesia, Malaysia, Philippines, Uganda, Russia, Poland, Africa, South America etc., and has been widely praised by customers.



Domestic and International Cooperation





SERVICE ASSURANCE

Guaranteed after sale, as worries are utterly eliminated



ONE YEAR
warranty of out products

Spare parts are given away free of charge along with shipment



24 HOURS
clients' service after sale

Free online installation guide and maintenance



DOOR-TO-DOOR
SERVICE

Rendering of on-site repair and installation services

VISION

The vision of RIVER is the development of river dredging engineering equipment integrating R&D, Production and Sales services. Our goal is to continuously earn complete customer satisfaction by supplying top quality, defect-free product on time, and to be the leading solution provider of Amphibious Excavator and dredging equipment with continuous improvement and well maintenance backup services.